

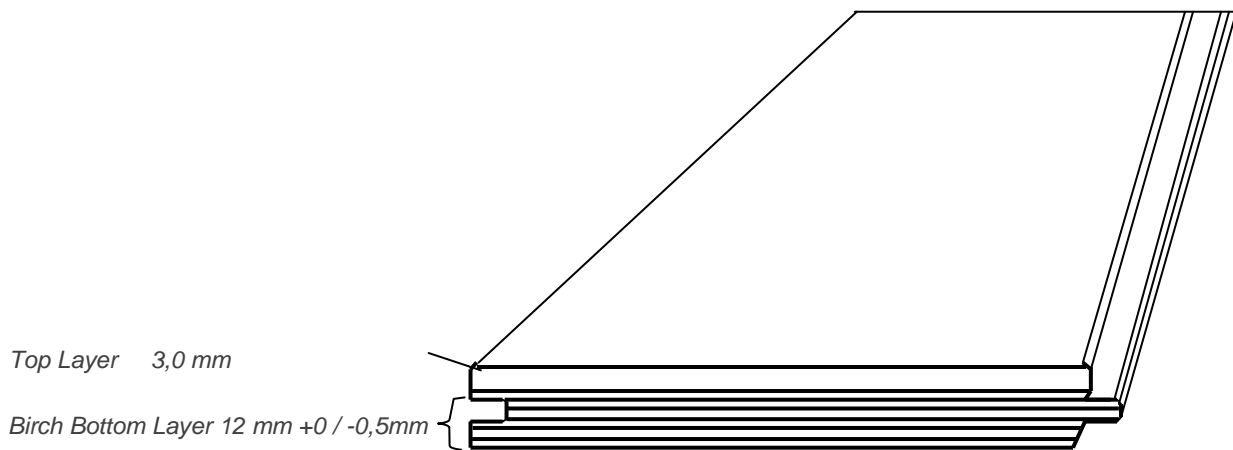
# PRODUCT INFORMATION SHEET 14,5mm



**VOLUNTA**  
parкет

2015

## Product Construction – Top Layer + Flexible Birch Multilayer Bottom – 14,5mm



## Wood Choice for Construction Multilayer – 14,5mm

**Select Grade** - Our premium grade which displays a more uniform color and variation in shade. It still exhibits small areas of character which enhance the natural appearance of your exclusive floor. Planks are mostly free from knots with max. diameter 10mm, isolated small sound knots and slight stress cracks are possible but filled with matching colorfiller.

**Classic Grade** - A grade characterized by more vigorous palette in color, sound or repaired knots up to 40 mm and permitted heartwood which enhances the natural appearance of this classic exclusive floor. The fallen out knots are repaired by gluing in real wood knots to re-create natural looks of wood. Especially in thermo treated floorboards variation in color enhance the beautiful appearance.

**Rustic Grade** - A grade characterized by more picturesque pattern of wood, without restrictions on color variations. Sound knots quantity not restricted. Repaired knots up to 70 mm and permitted sapwood 1/3 board width on full length enhance the natural appearance of floor. Cracks up to 5 mm in width and full length of board, filled with special filler or polyamide allowed.

## Possibility of Finishing for Construction Multilayer – 14,5mm

**White Annual Rings** - This special feature is achieved by applying additional coating of white pigment, to create a contrasting look of surface. To ensure easy maintenance of product, additional layers of selected finishing are applied afterwards.

**Natural Oxidative Oil** - The natural-oiled surface is completely natural and ecological solution. Oxidative oil is product based on natural materials excluding artificial color pigments, perfumes or preservatives. It allows the floor to breath due to special open pores feature.

**Brut Effect Oxidative Oil** - Special finishing oil with additives of white pigments which allows creating effect of raw, unfinished looks on natural floorboards. In combination with thermo treated surfaces, final color looks more calm and cozy

**White Oxidative Oil** - This finishing applied on natural floorboards will create a beautiful shade and rooms will appear brighter. In combination with thermo treated surfaces – the colors vary from light brown to bluish.

**Natural UV Oil** - The UV oil consists of approximately 60% sustainable ingredients. The look after application resembles to Oxidative Oil matt surfaces, but due to its durability has maintenance and care features of lacquered surfaces.

**Brut Effect UV Oil** - This finishing gives durability, high surface protection features and matt appearance of unfinished, raw looks of floorboards.

**Natural Lacquer** - This finishing entirely seals the surface of the floorboards. It has matt surface and all features of traditional, easy maintainable flooring. However, this is at expense of totally natural surface.

**White Lacquer** - Easy maintenance and light, soft esthetical looks is perfect option for project due to this finishing.

**Hardwax Oil** - Hardwax is a natural non-pollutant, non-toxic product produced from natural materials such as vegetable oil and natural waxes. The special features of this finish allow the oils to penetrate deeply into the wood pores and create a protective layer resistant to watermarks and stains such as wine, beer, cola, coffee, tea, fruit juices, and milk.

## Technical Specification for Construction Multilayer – 14,5mm

Quality of Under Layer	Water Resistant Plywood (D3) of Birch	
Length of board	1000 - 2400 mm in 10 cm step	+/- 0.50mm
Width of board	140/175/215 and 145/180/220 mm	+/- 0.10mm
Total Thickness of board	15 mm	+0/ - 0.50mm
Thickness of Top Layer	3,0 mm	+0/ - 0.25mm
Bevel length side	1.0mm x 1.0mm	
Bevel at the end	0.0 mm	
Tongue	with small bevel	
Tongue and groove space	ca. 0,35mm	+/- 0.05mm (max).
Groove	no fibers, pure and clear.	
Underfloor Heating (hot water - based system)	compatible - maximum wood floor temperature not exceed 27 °C.	
Surface	clear and smooth, no chipped, no rupture, no knife-machine marks, repaired with filler.	

**Bending is permitted in positive direction max. 1.5% in the length and 0.3% in the width of the plank. The glue between the top layer and the under layer is EPI - system (specification on separate sheet). The ends of the planks are always right angles of 90° exactly.**

## Packing for Construction Multilayer – 14,5mm

Pieces per packet	6 pcs in wrapped foil (one broken length in packet is allowed)
Weight per m <sup>2</sup>	10,0 kg.
One pallet	1 size/ 1 selection

**For more information – see packing information brochure.**

## Information for Installation for Construction Multilayer – 14,5mm

### Joint construction

- the thickness of the tongue ca. 5mm
- the joint construction allows several re-sanding of the top layer
- the construction of the tongue allows tight installation in the groove
- the tongue and groove joint construction incorporates space for extra glue (glue pocket) – floating installation;

### Moisture content

- |                                            |              |
|--------------------------------------------|--------------|
| - Top layer /Natural & Smoked Wood Species | 8.0% +/- 1%  |
| - Top layer /Thermo Treated Wood Species   | 4.0% +/- 1%  |
| - Plywood Under layer                      | 10.0% +/- 1% |



**PARKET TRADE UAB**

J.Basanavičiaus g. 168,  
LT-76123, Šiauliai Lithuania  
Tel. +370 41 544204

**[info@voluntaparket.eu](mailto:info@voluntaparket.eu)**

**[www.voluntaparket.eu](http://www.voluntaparket.eu)**