



# PARQUET INFORMATION

# PARQUET FORMATS



Chevron

Herringbone

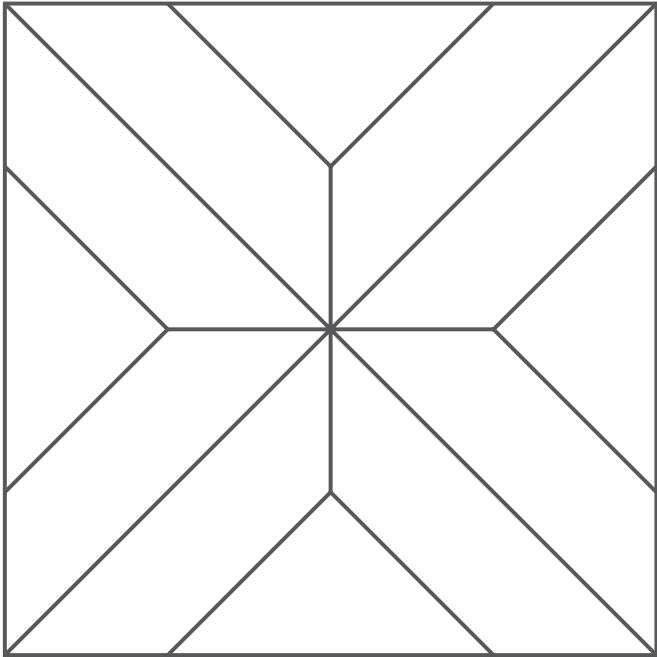
Standart

XL

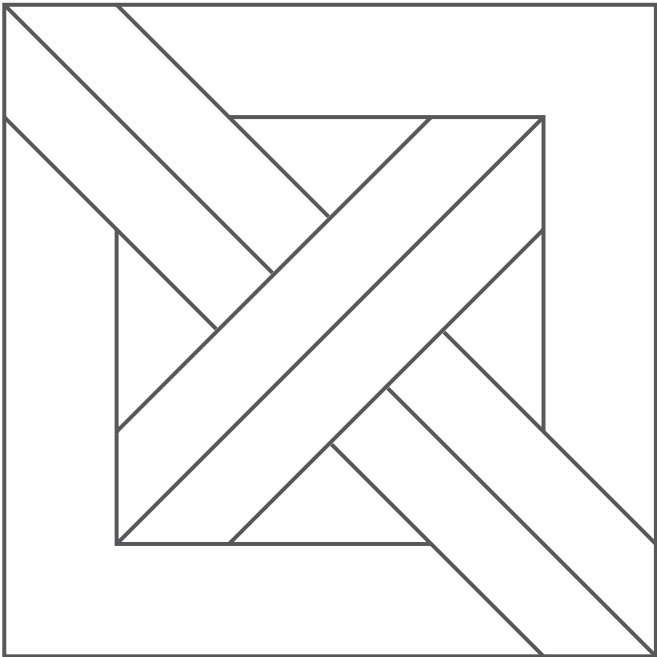
XXL

Measurements in mm	Chevron	Herringbone	Standard	XL	XXL
<b>Natural and smoked wood</b>					
Thickness	16/19	16/19	14/14,8/16/19	14,8/16/19	19
Length	560	700	1800-2400	1800-2400	2400-4000
Width	140	140	145/175/210	240-300	240-300 (up to 450 by request)
<b>Thermo treated wood</b>					
<b>Fired and semi-fired</b>					
Thickness	16/19	16/19	14/14,8/16/19	14,8/16/19	19
Length	560	700	1800-2400	1800-2400	2400-4000
Width	140	140	140/170/205	235-295	235-295 (up to 440 by request)
<b>Dark fired</b>					
Thickness	16/19	16/19	14/14,8/16/19	n/a	n/a
Length	560	700	1800-2400		
Width	140	140	140/170/205		

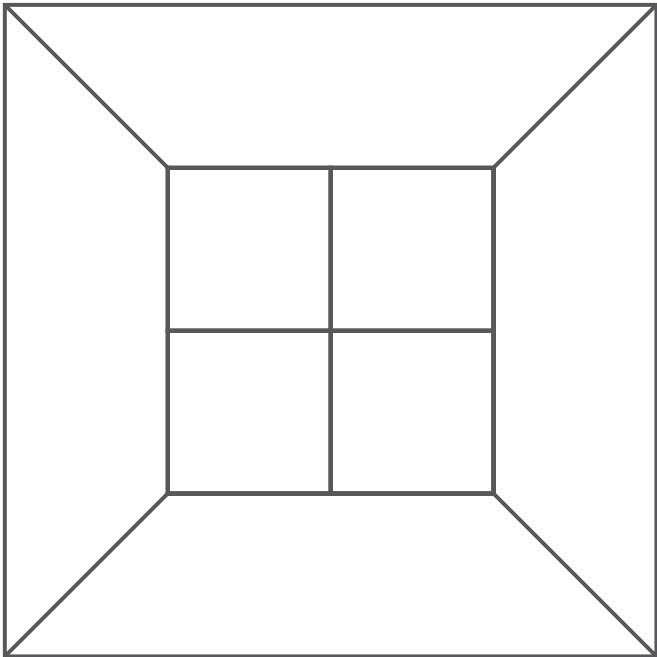
# PARQUET PANELS



**LINCOLN**  
580 mm x 580 mm

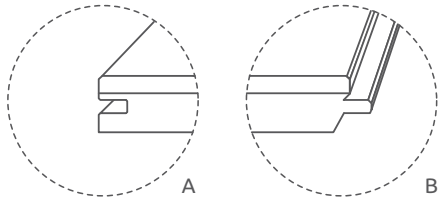


**WALES**  
580 mm x 580 mm

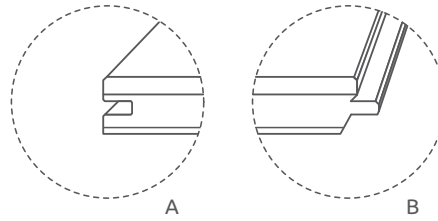
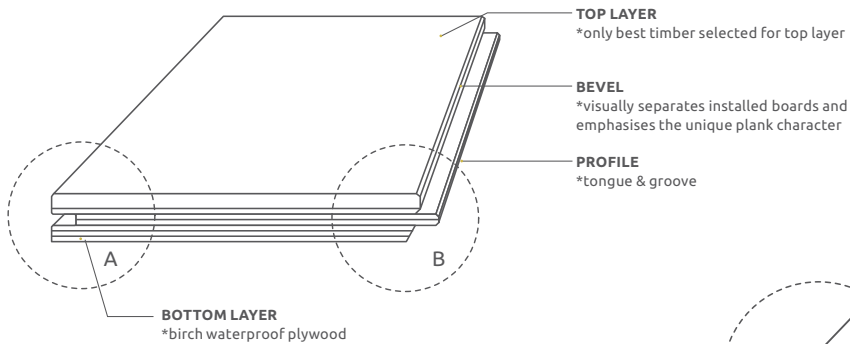


**YORK**  
580 mm x 580 mm

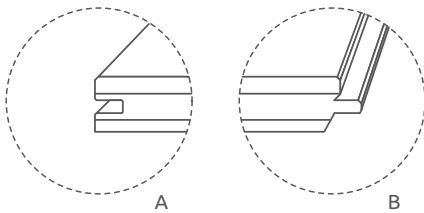
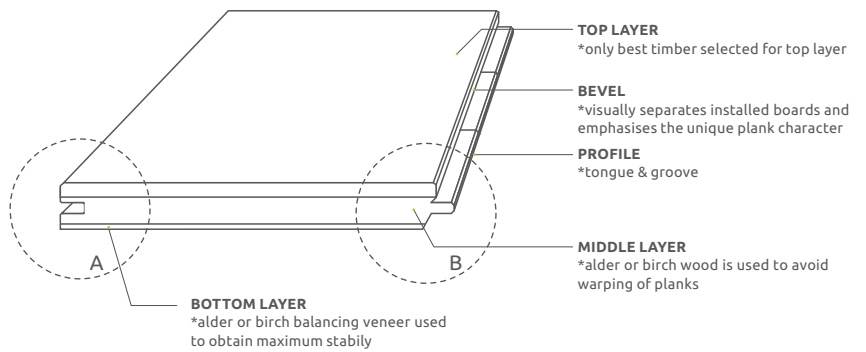
# PARQUET CONSTRUCTION



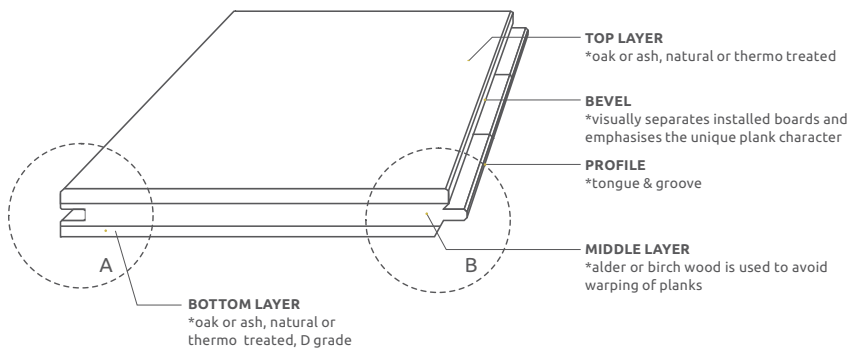
## 2-LAYER CONSTRUCTION



## 3-LAYER CONSTRUCTION



## 3-LAYER SYMMETRIC CONSTRUCTION



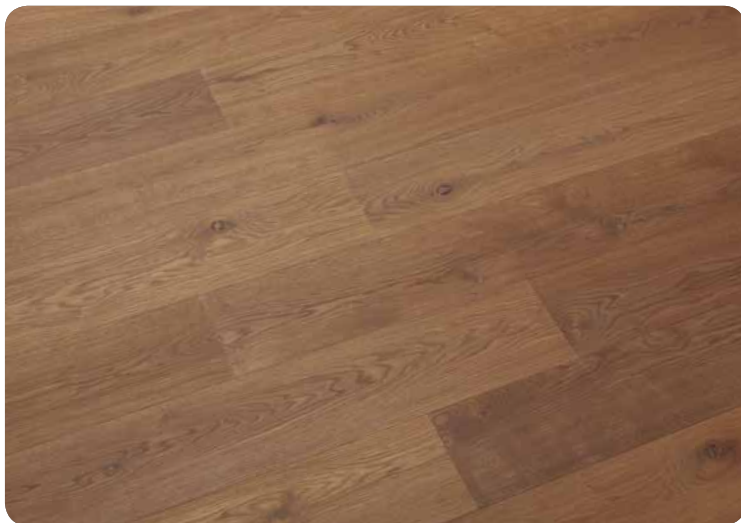
Construction options	Thickness, mm	Top layer, mm	Construction type		
			2 layers	3 layers	3 layers symmetric
	14	4	*		
	14.8	4		*	*
	16	4	*		*
	19	4	*	*	*

# GRADING



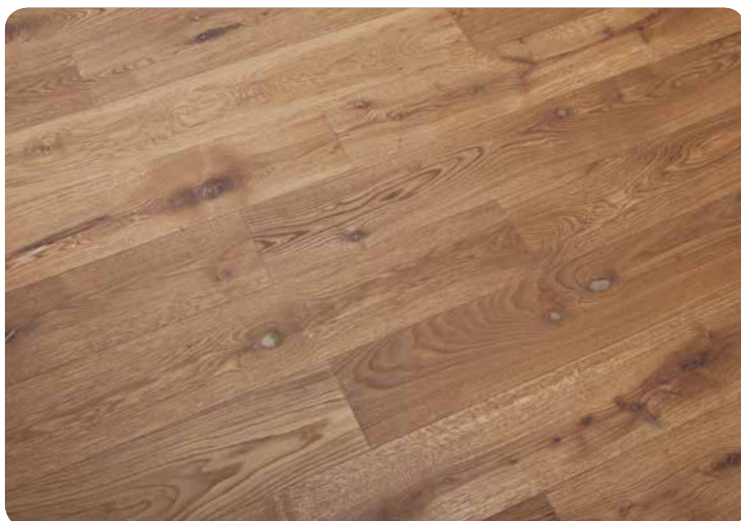
## SELECT

Our premium grade which displays a more uniform colour and variation in shade. It still exhibits small areas of character which enhance the natural appearance of your exclusive floor. Planks are mostly free from knots with max. diameter 8 mm, isolated small sound knots and slight stress cracks are possible but filled with matching color filler.



## CLASSIC

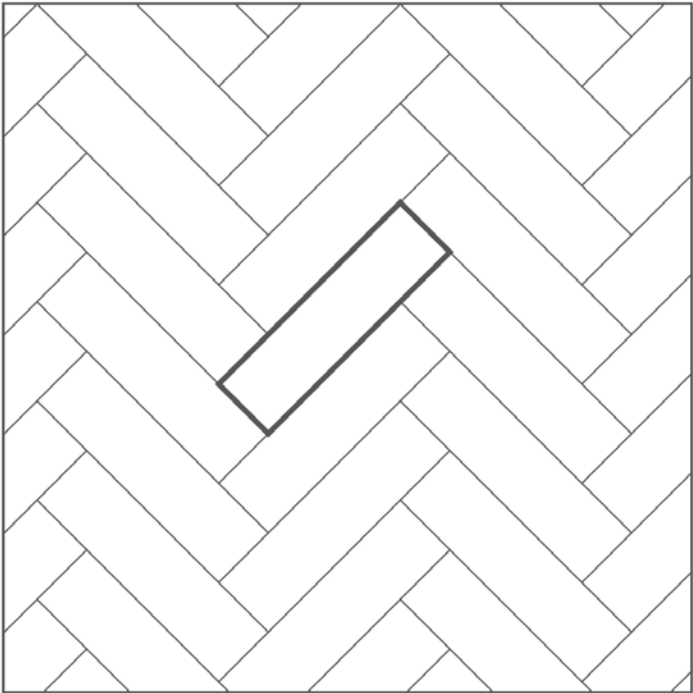
A grade characterized by more vigorous palette in colour, sound or repaired knots up to 40 mm and permitted heartwood which enhances the natural appearance of this classic exclusive floor. The fallen out knots are repaired by gluing in real wood knots to re-create natural looks of wood. Especially in thermo treated floorboards variation in color enhance the beautiful appearance.



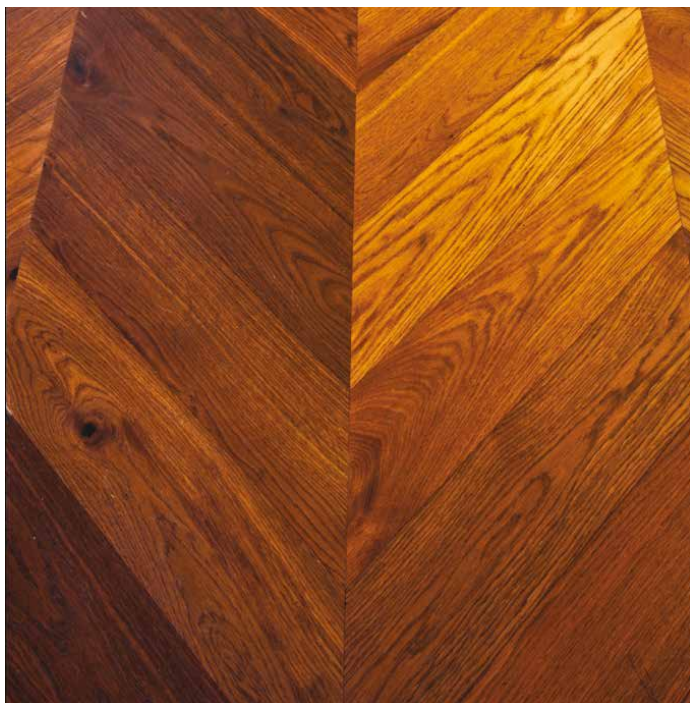
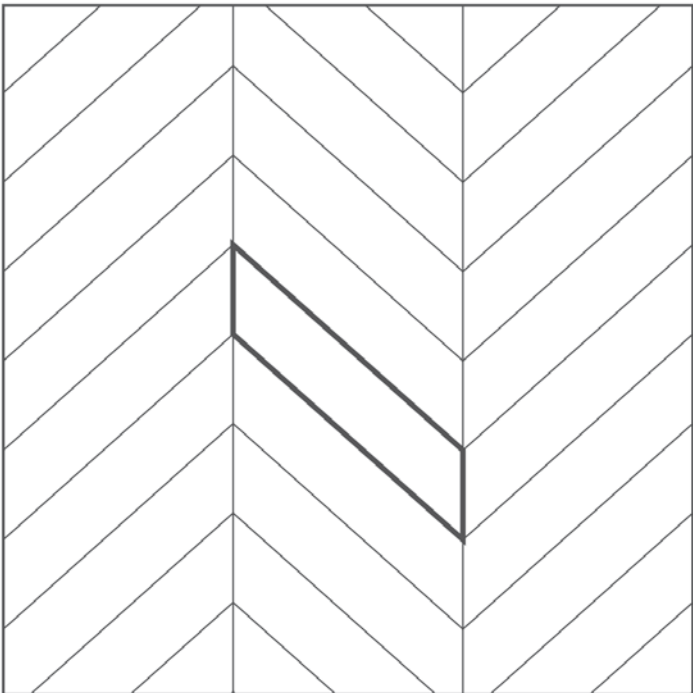
## RUSTIC

A grade characterized by more picturesque pattern of wood, without restrictions on colour variations. Sound knots quantity not restricted. Repaired knots up to 70 mm and permitted sapwood enhance the natural appearance of floor. Cracks up to 5 mm in width and 1/3 in length of board, filled with special filler or polyamide allowed.

# PATTERNS



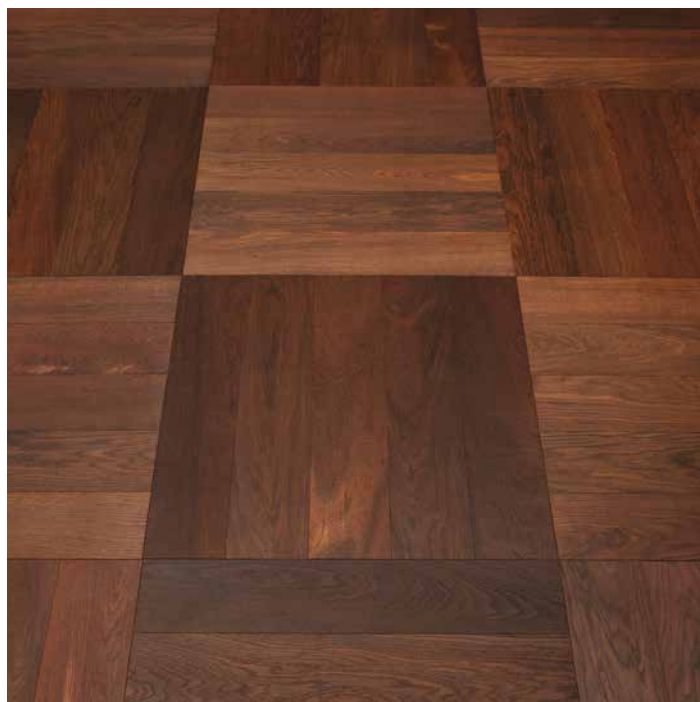
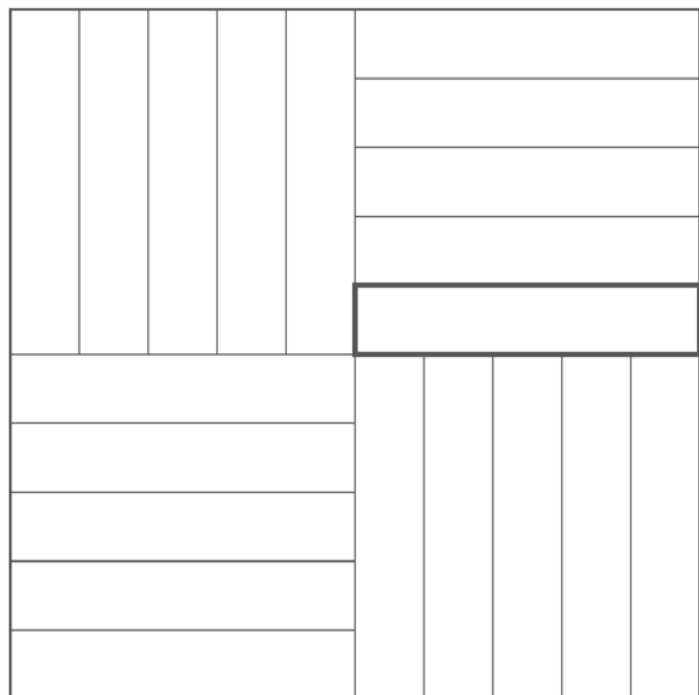
**HERRINGBONE**



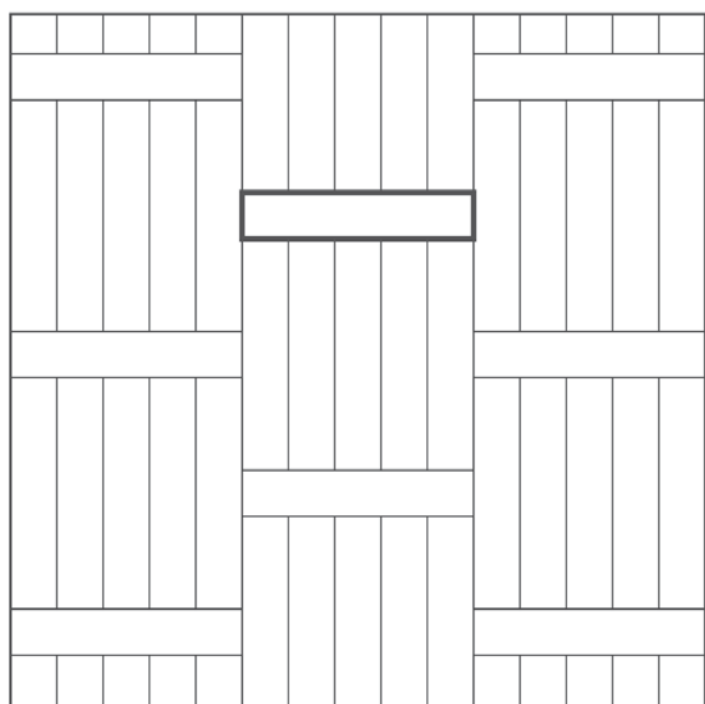
**CHEVRON**



# PATTERNS



## BLOCKS



## BLOCK AND HEADER

# SURFACE

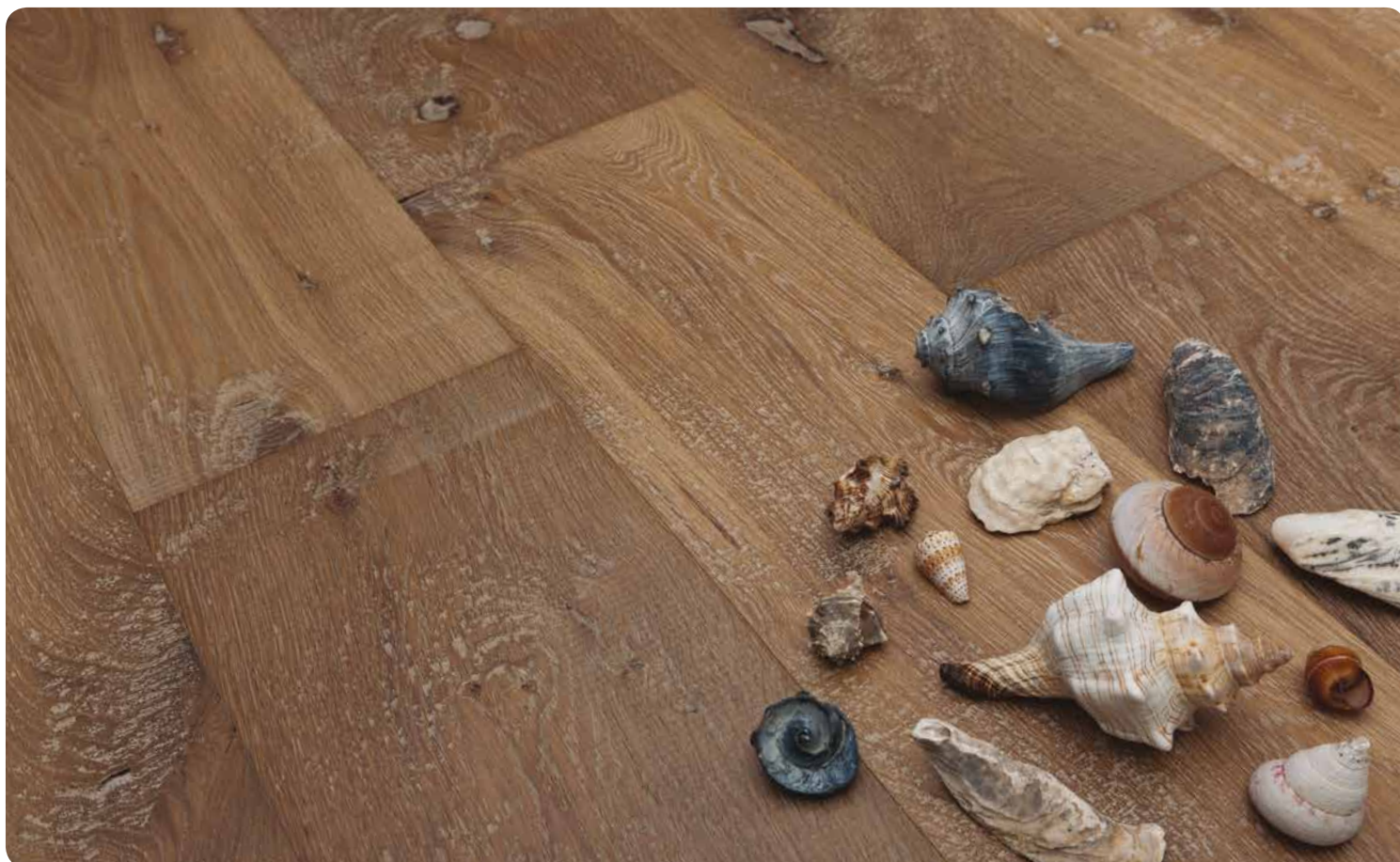
- PLANED
- ROUGH SAWN
- HANDSCRAPED
- SANDED
- BRUSHED
- DISTRESSED

## HANDSCRAPED





## PLANED



## ROUGH SAWN





# THERMO TREATMENT



This ecologically sound treatment process uses no chemical additives to produce a dark timber with a colour running right through the wood. It offers a genuinely viable alternative to tropical hardwoods.

## Advantages of thermo treatment process:

- Shrinking and swelling is decreased
- Stability is increased by more than 50% thanks to the moisture content, which falls by 4-5%
- Water resistance is significantly increased
- Decay resistance is improved
- Colour will be dark throughout the wood
- Longevity is improved
- Protection against the biological damage (f.e. mushrooms) reinforced



# FINISHING

## MAIN FINISHING

- LACQUER
- OXIDATIVE OIL
- UV OIL
- UV LACQUER
- HARDWAX OIL

## SPECIAL FINISHING:

### STAIN



### COLOURED PORES





**VUMA UAB**

Darius ir Gireno st. 19,  
LT-02184 Vilnius, Lithuania  
Phone +370 5 210 5536  
Fax +370 5 270 4633

**[info@voluntaparket.eu](mailto:info@voluntaparket.eu)**  
**[www.voluntaparket.eu](http://www.voluntaparket.eu)**